

A close-up photograph of a white roller assembly on a blue machine. The roller is cylindrical and has a motor mounted on its right side. A white control box is positioned in front of the roller. The background shows other parts of the machine, including a blue motor housing and a control panel with several knobs and switches. A large white letter 'A' is overlaid on the top center of the image.

A

FEED AND BIOFUEL

**INCREASED
PELLET QUALITY
AND EASY RESTART**

AUTOMATIC ROLLER ADJUSTMENT UPGRADE KIT

ANDRITZ

ENGINEERED SUCCESS

Dynamic roller adjustment

The automatic roller adjustment system from ANDRITZ makes it possible to move the rollers closer to die, even during high capacity operation - a task a mill outfitted with a pneumatic system does not have the power to handle.

EASE OF USE

During shutdown, the rollers retract, making cleaning the die cavity or replacing the die and rollers simple and easy. Additionally, restarting the pellet mill with the rollers retracted reduces costly electrical spike loads.

provide information that helps optimize dynamic roller distance settings and other process parameters like conditioning and formulation. Roll slip sensors also aid in preventing complete roll slippage, and the ability to push the rollers back to zero prevents unnecessary dumping.

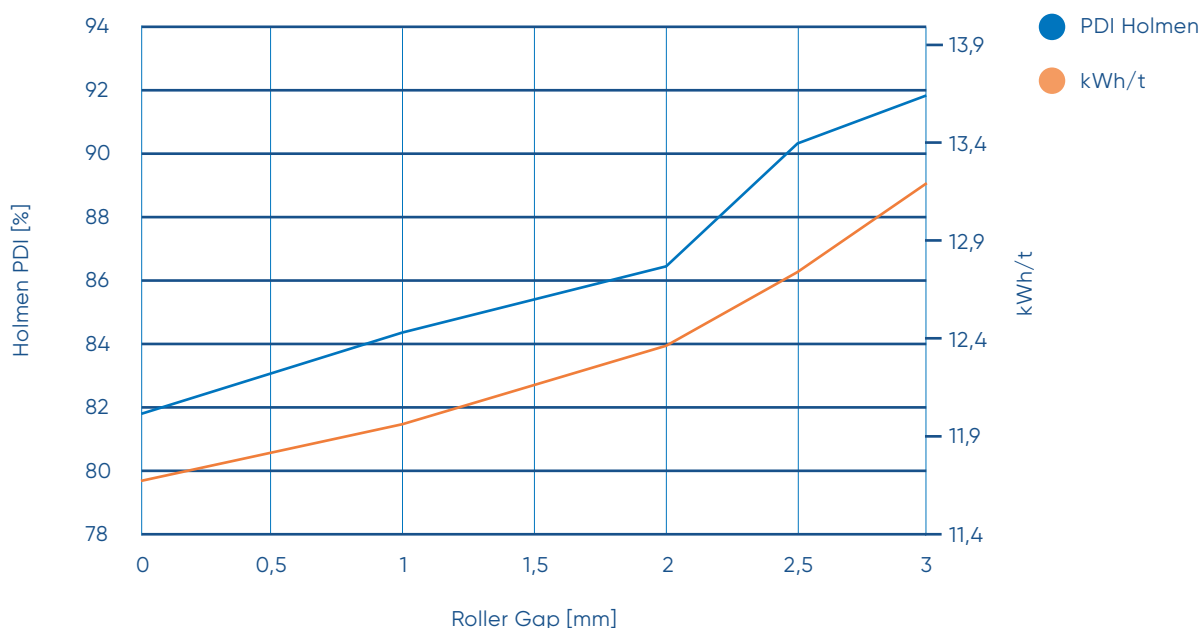
ROLLER GAP

Retracting the rollers during operation builds a carpet between the rollers and die, thus increasing power consumption and consequently improving pellet quality but also increasing the lifetime of the roller and die.

ROLL SLIP PREVENTION

When upgrading from manual to automatic roller adjustment, including roll slip sensors, is also recommended. Roll slip sensors provide an instant indication of even an initial roll slip on the individual roller level. These signals

G12-40 RUNNING 30T/H BROILER FEED ON Ø3,5/67 DIE





Close to die



Away from die

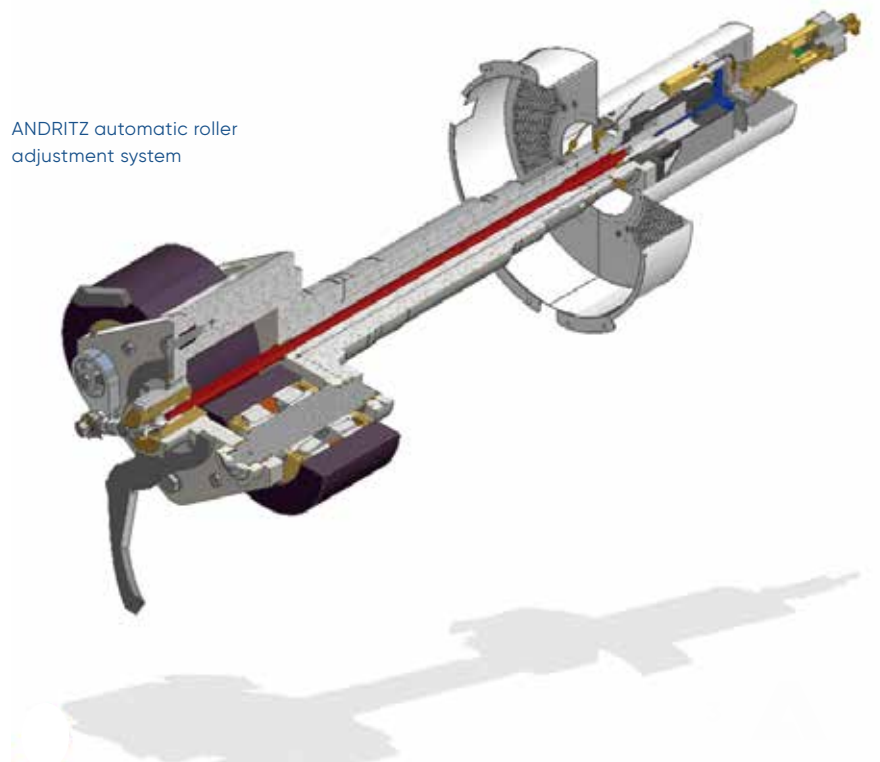
WHAT TO UPGRADE?

- Roller main shaft *
- Front plate
- Roller adjustment system
- Material distributor
- Hydraulic system
- Control system
- Main shaft disc for Paladins
- Etc.

*) Only for Paladin and PM-machines

PM717W	PM717XW	
PM919W	PM919XW	PM919TW
PM1219W		
FeedMax G7-30	FeedMax G7-35	
FeedMax G9-30-2R	FeedMax G9-35-2R	
FeedMax G12-30	FeedMax G12-40	
Paladin2000 200-2R	Paladin2000 250-2R	Paladin2000 300-2R
Paladin3000 350-2R FM		

ANDRITZ automatic roller adjustment system





GLOBAL SUPPLIER – LOCAL PRESENCE

With sales, service, engineering, manufacturing and production sites located all around the world, ANDRITZ Feed and Biofuel is truly a global organization with a local presence. ANDRITZ is vital to ensuring a reliable global supply of aqua feed, animal feed, pet food, and biofuel. With full process lines accounting for half the world's production of aqua feed and biomass alone, we continuously support leading producers in achieving the highest levels in safety, quality, and control from feedstock to final product.

How can we help grow your business?

ANDRITZ Feed and Biofuel A/S

Glentevej 5-7
6705 Esbjerg, Denmark
p: +45 72 160 300
andritz-fb.dk@andritz.com

AUSTRALIA

p: +61 3 8773 4888
andritz-fb.au@andritz.com

CHINA

p: +86 21 5774 5781
andritz-fb.cn@andritz.com

ITALY

p: +39 (0445) 575 695
andritz-fb.it@andritz.com

TURKEY

p: +90 232 570 38 00
andritz-fb.tr@andritz.com

BANGLADESH

p: +880 22 2226 4800
andritz-fb.bd@andritz.com

DUBAI

p: +971 4 299 5555
andritz-fb.uae@andritz.com

MEXICO

p: +52 443 323 1530 ext 364
andritz-fb.mx@andritz.com

UK

p: +44 1482 825119
andritz-fb.uk@andritz.com

BRAZIL

p: +55 47 3387 9146
andritz-fb.br@andritz.com

FRANCE

p: +33 24 75 06 364
andritz-fb.fr@andritz.com

NETHERLANDS

p: +31 40 2627777
andritz-fb.nl@andritz.com

USA

p: +1 570 546 1253
andritz-fb.us@andritz.com

CANADA

p: +1 519 676 7057
anbosales@andritz.com

GERMANY

p: +49 2104 9197 0
andritz-fb.de@andritz.com

POLAND

p: +48 60 906 1037
andritz-fb.pl@andritz.com

VIETNAM

p: +84 8 6253 9434
andritz-fb.vi@andritz.com

CHILE

p: +56 2 24624608
andritz-fb.cl@andritz.com

INDIA

p: +91 87544 15287
andritz-fb.india@andritz.com

SOUTH AFRICA

p: +27 82 781 0808
andritz-fb.za@andritz.com

[ANDRITZ.COM/FT](https://www.andritz.com/ft)

JOIN US ON SOCIAL MEDIA



All data, information, statements, photographs and graphic illustrations in this leaflet are without any obligation and raise no liabilities to or form part of any sales contracts of ANDRITZ AG or any affiliates for equipment and/or systems referred to herein. © ANDRITZ AG 2021. All rights reserved. No part of this copyrighted work may be reproduced, modified or distributed in any form or by any means, or stored in any database or retrieval system, without the prior written permission of ANDRITZ AG or its affiliates. Due to legal requirements, we must inform you that ANDRITZ AG processes your data for the purposes informing you about the ANDRITZ GROUP and its activities. Find out more details about our data privacy declaration and your rights under the data protection legislation on our website: [andritz.com/privacy](https://www.andritz.com/privacy). ANDRITZ AG, Stattegger Strasse 18, 8045 Graz, Austria.



1213 GB