



FEED AND BIOFUEL
**EFFICIENT BIOFUEL
PELLETING**

SHANGHAI PELLET MILL TYPE SVPB

ANDRITZ

ENGINEERED SUCCESS

Pellet mill technology for more sustainable production

ANDRITZ manufactures and supplies every key processing machine in the pellet production line. We also offer single machines for the production of biomass pellets, solid biofuel, and waste pellets.

SVPB SERIES

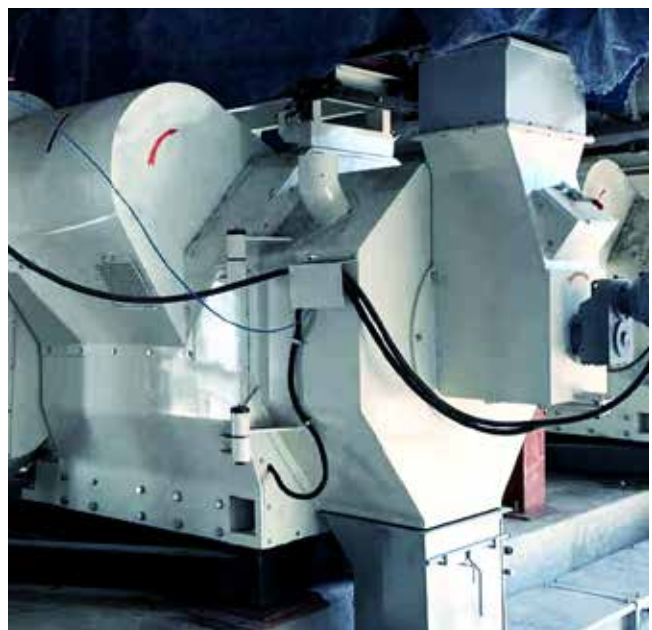
The ANDRITZ SVPB65 series pellet mill is ideal for biomass pellet producers seeking to generate sustainable energy products such as biofuel, biomass, and waste product processing thanks to single-motor, two-stage reduction driving system and wide adjustable linear speed for long lasting, reliable operation.

The SVPB65 features a pelleting chamber door, feeder, and conditioner made of stainless steel for reduced wear and an interlocked roller adjusting system for fast and easy modifications to the clearance between rollers and die.

The pneumatic, quick-dump bypass, overload protection shear pins, and die and roller hoist devices have been designed with the user's safety in mind.

Additionally, the ANDRITZ SVPB65 series pellet mill is a perfect choice for processing of forestry and agricultural residues as well as domestic garbage; making a significant environmental, social and economic impact.

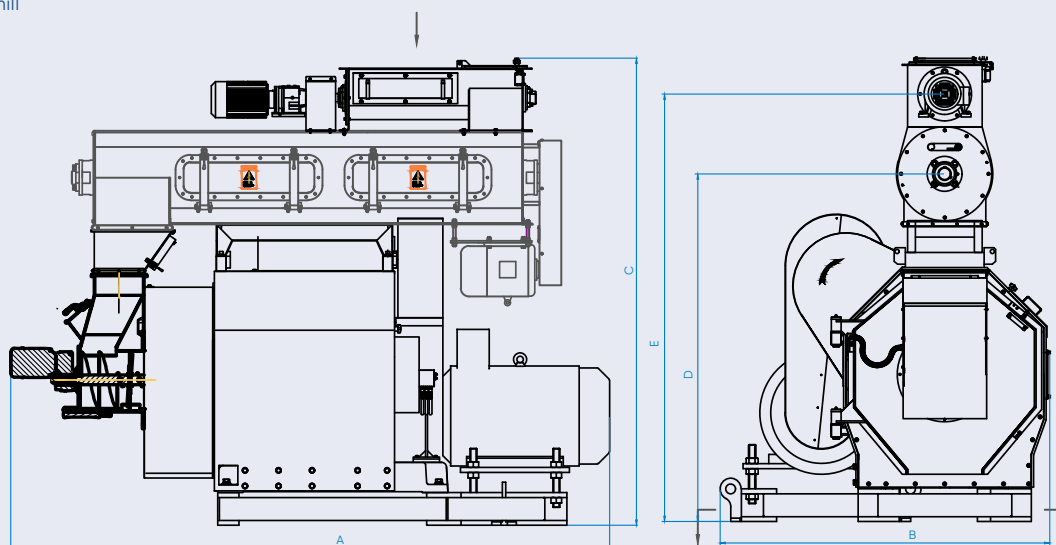
SVPB65 pellet mill



ADAPTIVE

Pelleting solutions that are adaptive, matching your exact pelleting needs

SVPB pellet mill



TECHNICAL SPECIFICATIONS

Model	SVPB65 (biofuel)	
Capacity (t/h)	2.0-3.0 (Ø8.0)	
Die (mm)	Inside diameter	650
	Pelleting Width	105
Roller (mm)	Qty.	2
	Diameter	295
Main Motor	Power (kW)	200*1
	Rotation speed (rpm)	157
Feeder	Model	SFB300
Conditioner	Model	SCMB600

The SVPB65 pellet mill is ideal for processing the forestry and agricultural residues as well as the domestic garbage.

DIMENSION SIZE (MM)

Model	A	B	C	D	E
SVPB65	3668	2017	2860	2130	2618





GLOBAL SUPPLIER – LOCAL PRESENCE

With sales, service, engineering, manufacturing and production sites located all around the world, ANDRITZ Feed and Biofuel is truly a global organization with a local presence. ANDRITZ is vital to ensuring a reliable global supply of aqua feed, animal feed, pet food, and biofuel. With full process lines accounting for half the world's production of aqua feed and biomass alone, we continuously support leading producers in achieving the highest levels in safety, quality, and control from feedstock to final product.

How can we help grow your business?

ANDRITZ Feed and Biofuel A/S

Glentevej 5–7
6705 Esbjerg, Denmark
p: +45 72 160 300
andritz-fb.dk@andritz.com

ANDRITZ (Shanghai) Equipment & Engineering Co., LTD

No.2288, Rongle East Road, Songjiang,
201613, Shanghai, P.R.China
p: +86 21 57745781
andritz-fb.cn@andritz.com

AUSTRALIA

p: +61 3 8773 4888
andritz-fb.au@andritz.com

CHINA

p: +86 21 5774 5781
andritz-fb.cn@andritz.com

ITALY

p: +39 (0445) 575 695
andritz-fb.it@andritz.com

TURKEY

p: +90 232 570 38 00
andritz-fb.tr@andritz.com

BANGLADESH

p: +880 22 2226 4800
andritz-fb.bd@andritz.com

DUBAI

p: +971 4 299 5555
andritz-fb.uae@andritz.com

MEXICO

p: +52 443 323 1530 ext 364
andritz-fb.mx@andritz.com

UK

p: +44 1482 825119
andritz-fb.uk@andritz.com

BRAZIL

p: +55 47 3387 9146
andritz-fb.br@andritz.com

FRANCE

p: +33 24 75 06 364
andritz-fb.fr@andritz.com

NETHERLANDS

p: +31 40 2627777
andritz-fb.nl@andritz.com

USA

p: +1 570 546 1253
andritz-fb.us@andritz.com

CANADA

p: +1 519 676 7057
anbosales@andritz.com

GERMANY

p: +49 2104 9197 0
andritz-fb.de@andritz.com

POLAND

p: +48 60 906 1037
andritz-fb.pl@andritz.com

VIETNAM

p: +84 8 6253 9434
andritz-fb.vi@andritz.com

CHILE

p: +56 2 24624608
andritz-fb.cl@andritz.com

INDIA

p: +91 87544 15287
andritz-fb.india@andritz.com

SOUTH AFRICA

p: +27 82 781 0808
andritz-fb.za@andritz.com

ANDRITZ.COM/FT

JOIN US ON SOCIAL MEDIA



All data, information, statements, photographs and graphic illustrations in this leaflet are without any obligation and raise no liabilities to or form part of any sales contracts of ANDRITZ AG or any affiliates for equipment and/or systems referred to herein. © ANDRITZ AG 2021. All rights reserved. No part of this copyrighted work may be reproduced, modified or distributed in any form or by any means, or stored in any database or retrieval system, without the prior written permission of ANDRITZ AG or its affiliates. Due to legal requirements, we must inform you that ANDRITZ AG processes your data for the purposes informing you about the ANDRITZ GROUP and its activities. Find out more details about our data privacy declaration and your rights under the data protection legislation on our website: andritz.com/privacy. ANDRITZ AG, Stattegger Strasse 18, 8045 Graz, Austria.



3016 GB